

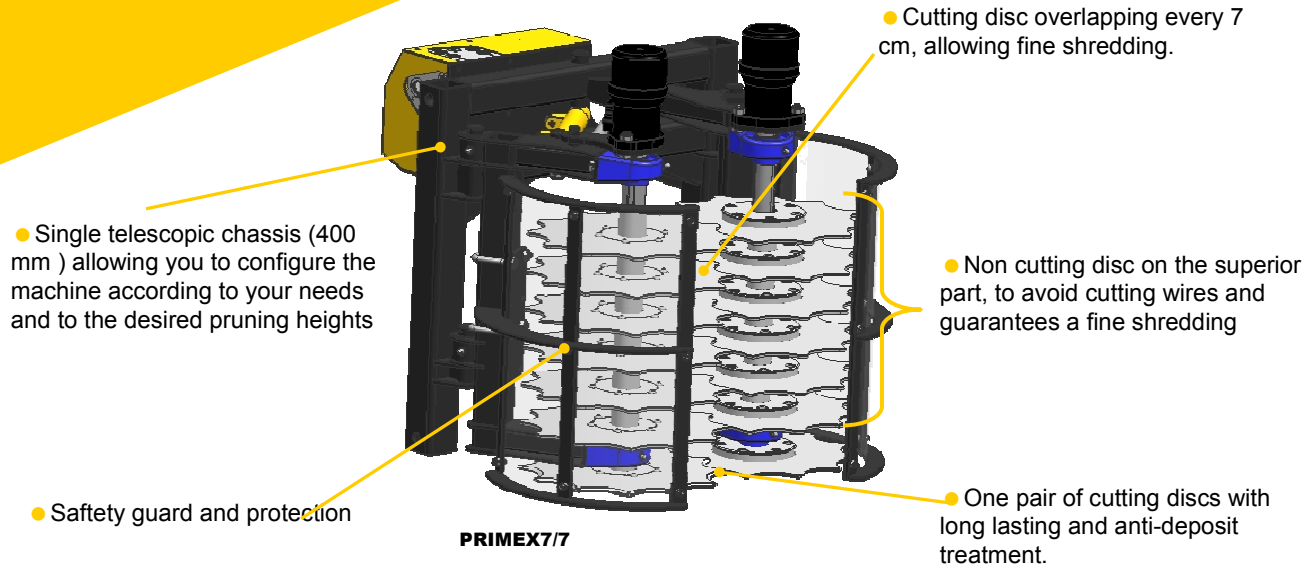
Pre pruner for Multipurpose Tool Holder

Mounted on:

Grape Harvester front tool carrier

Tractor with PopStar 1, 2 or 3

Range of 4 to 16 cutting discs for trellised vines.



Key Features :

- Stackable cutting modules offering a wide range of cutting heights.
- Independant adjustment of hydraulic functions for 'Pruning drive line' and 'Open and Closing system'
- Disc rotation speed adjustable from 0 to 200 rpm.

- Inversion of the rotating direction of the cages.
- Removal support rest on caster wheels..
- Machine open, 305 mm between cutting discs.
- Manual safety valve to depressurise the hydraulic circuit for maintenance.
- Pruning head with opening controlled manually at the vine pots.

Technical characteristics :

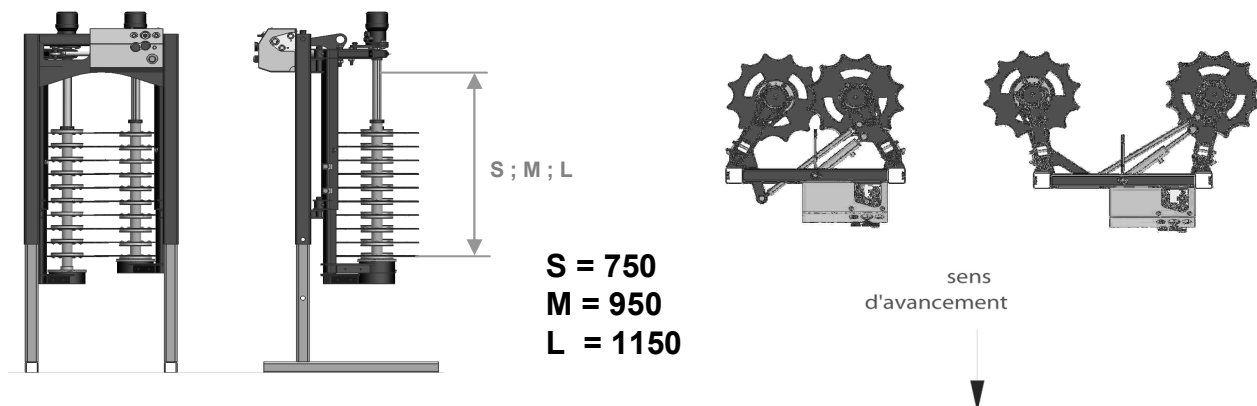
Type	Cutting height	Number of modules	Shaft / Chassis Configuration	Oil flow rate	Pressure	Weight
PRIMEX 4/4	210 mm	4	S; M; L	6 L/mn minimum fixed and 30 L/mn mini variable, other possibilities as an option.	180 bars	180 kg
PRIMEX 5/5	280 mm	5	S; M; L		180 bars	185 kg
PRIMEX 6/6	350 mm	6	S; M; L		180 bars	190 kg
PRIMEX 7/7	420 mm	7	S; M; L		180 bars	195 kg
PRIMEX 8/8	490 mm	8	S; M; L		180 bars	200 kg
PRIMEX 9/9	560 mm	9	S; M; L		180 bars	205 kg
PRIMEX 10/10	630 mm	10	M; L		180 bars	210 kg
PRIMEX 11/11	700 mm	11	M; L		180 bars	215 kg
PRIMEX 12/12	770 mm	12	M; L		180 bars	220 kg
PRIMEX 13/13	840 mm	13	M; L		180 bars	225 kg
PRIMEX 14/14	910 mm	14	M; L		180 bars	230 kg
PRIMEX 15/15	980 mm	15	L		180 bars	235 kg
PRIMEX 16/16	1050 mm	16	L		180 bars	240 kg

Primex

pre pruner for Multipurpose Tool Holder

GREGOIRE

Passion & Excellence



Modèles	Order code Chassis S	Order code Chassis M	Order code Chassis L
PRIMEX 4/4	BLPRIM4S		
PRIMEX 5/5	BLPRIM5S		
PRIMEX 6/6	BLPRIM6S		
PRIMEX 7/7	BLPRIM7S		
PRIMEX 8/8	BLPRIM8S	BLPRIM8M	
PRIMEX 9/9	BLPRIM9/S	BLPRIM9M	
PRIMEX 10/10		BLPRIM10M	
PRIMEX 11/11		BLPRIM11M	
PRIMEX 12/12		BLPRIM12M	BLPRIM12L
PRIMEX 13/13		BLPRIM13M	BLPRIM13L
PRIMEX 14/14		BLPRIM14M	BLPRIM14L
PRIMEX 15/15			BLPRIM15L
PRIMEX 16/16			BLPRIM16L
Accessories			Order code
Pair of additional cutting discs			BL427043
Motorised adjustable flow divider (30 L/mn + 6 L/mn) (if single flow-rate on tractor)			BL427045
Electromechanical automatic opening system with feeler and control panel (cannot be mounted with side pruning)			BL427046
2 side cutting elements, 1 blade 500 mm (cannot be mounted with auto opening) requiring 25 L/mn			BL427047
Adaption Kit Pop Star 1			BL416028
Adaption Kit Pop Star 2			BL417031
Adaption Kit Pop Star 3			BL417030

Adaption PRIMEX	G105	G106	G107	G132	G152	Price
	BL427501	BL427502	BL427503	BL427504	BL427505	618.00 €